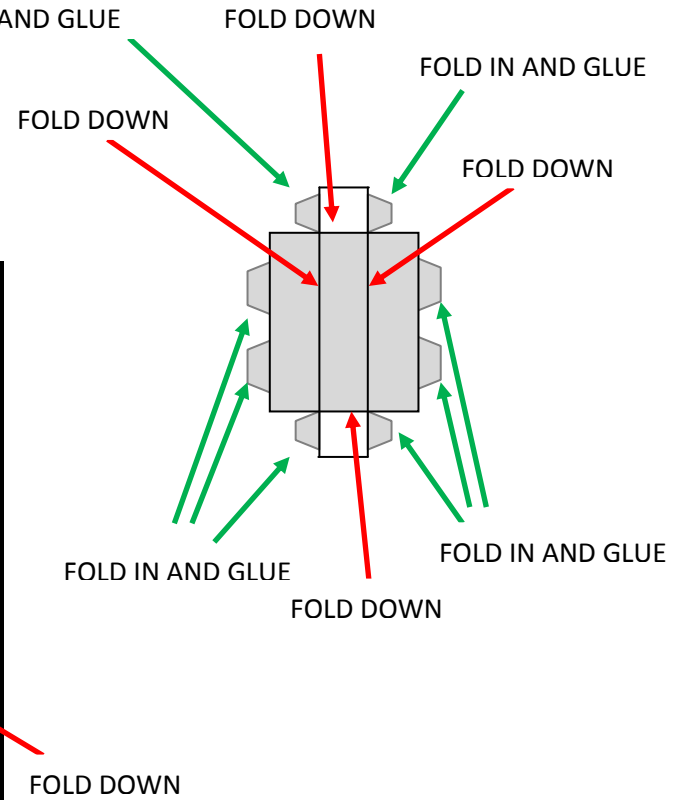
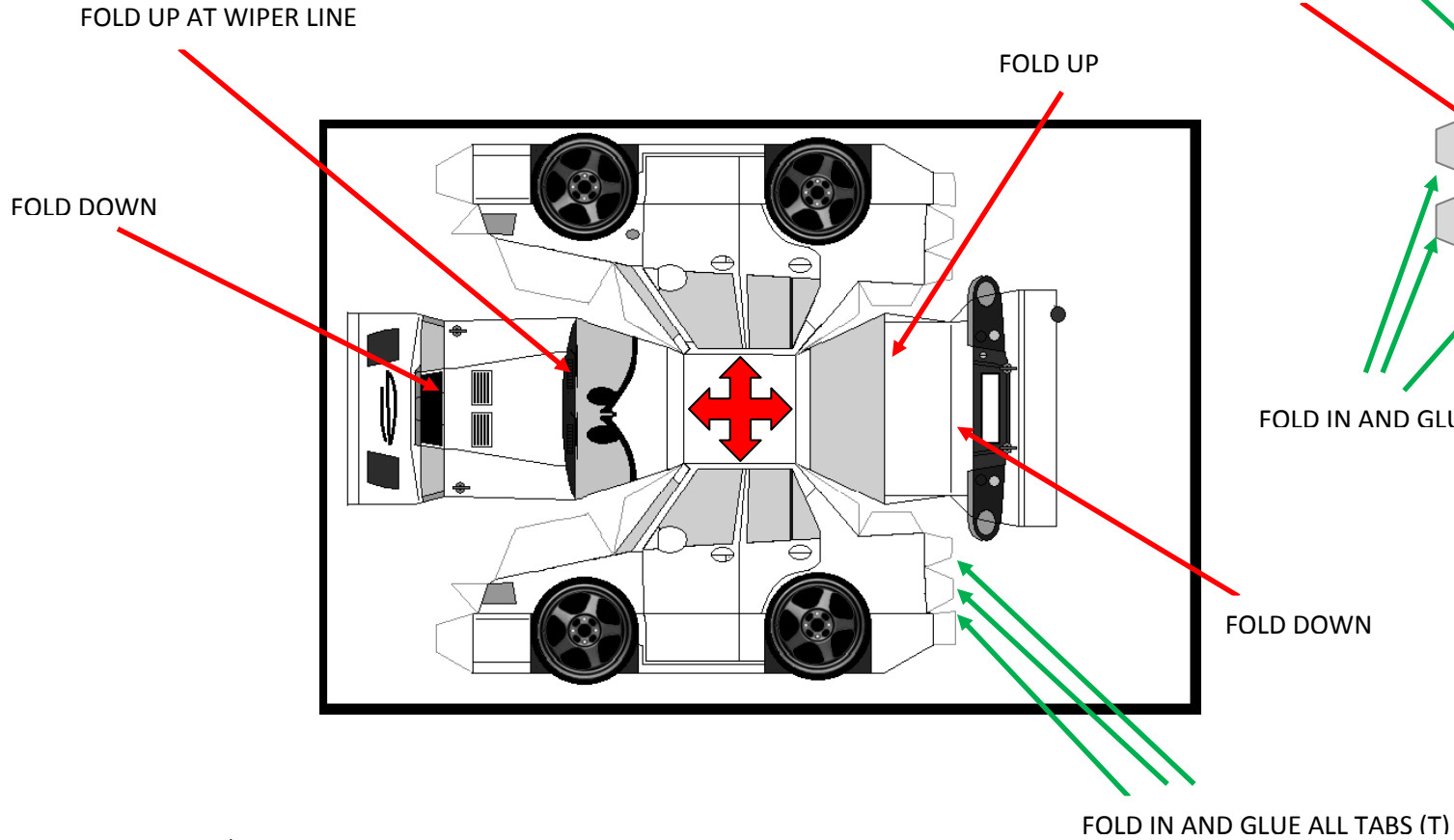


1. Cut out model. Be careful not to cut off tabs marked T.
2. Cut hash marks on rooftop or simply glue the **ROOF LIGHTS** directly to the roof as final step.

Adult Supervision Recommended

ROOF LIGHTS



FOLD DOWN ALL 4 INNER LINES (step #3)

3. Fold all solid lines indicated by the red arrows.
4. Fold in and glue all tabs marked T.
5. Glue/mount roof lights.
6. Fold and glue tail lights to vehicle sides.